

PHOTOFACT\* Folder



FISHER MODEL  
30C



FISHER MODEL  
30C



FISHER MODEL  
30C

TRADE NAME	Fisher Model 30C
MANUFACTURER	Fisher Radio Corp., 21-21 44th Drive, Long Island City 1, N. Y.
TYPE SET	AC Operated Preamplifier
POWER SUPPLY	105 - 125 Volts AC, 50-60 Cycles RATING 11 Watts, .09 Amp. @117 Volts AC

**HOWARD W. SAMS & CO., INC.** Indianapolis 6, Indiana

The listing of any available replacement part herein does not constitute in any case a recommendation, warranty or guaranty by Howard W. Sams & Co., Inc., as to the quality and suitability of such replacement part. The numbers of these parts have been compiled from information furnished to Howard W. Sams & Co., Inc., by the manufacturers of J27

the particular type of replacement part listed. Reproduction or use, without express permission, of editorial or pictorial content, in any manner, is prohibited. No patent liability is assumed with respect to the use of the information contained herein. © 1959 Howard W. Sams & Co., Inc., Indianapolis 6, Indiana. Printed in U.S. of America

# PARTS LIST AND DESCRIPTIONS TUBES (GENERAL ELECTRIC, SYLVANIA)

ITEM No.	USE	TYPE	NOTES	ITEM No.	USE	TYPE	NOTES
V1	Preampifier	6267	①	V3	AF Amplifier	ECC83/ 12AX7	①
V2	Preamp. -Cath. Follower	12AT7					

① Domestic type listed may not be directly interchangeable in some instances.

## ELECTROLYTIC CAPACITORS

ITEM No.	RATING CAP. VOLT.	REPLACEMENT DATA				NOTES
		FISHER PART No.	AEROVOX PART No.	CORNELL-DUBILIER PART No.	MALLORY PART No.	
C1A	.40	C670-125	A7H4-02	D0020	FP327.89	TMD-31 TD-40-250
C2	.40	C639-144	SRE6V25	BBR25-6	TT6X25	ML30-6
C3	.25	C639-144	SRE6V25	BBR25-6	TT6X25	ML30-6

\* Not normally in distributor's stock. Available thru distributor on order to manufacturer.

## FIXED CAPACITORS

Capacity values given in the rating column are in mfd. for Paper Capacitors, and in mmfd. for Mica and Ceramic Capacitors.

ITEM No.	RATING CAP. VOLT.	REPLACEMENT DATA						NOTES
		TOL.	FISHER PART No.	AEROVOX PART No.	CORNELL-DUBILIER PART No.	MALLORY PART No.	SPRAGUE PART No.	
C4	100	N1500 10%	C50070-6	P488N-047	DF-503	CUB4547	GEM-4147	4TM-547
C5	.047	250	C50074-27	P488N-047	IDF-503	CUB4547	GEM-4147	4TM-547
C6	.047	250	C50074-27	P488N-047	IDF-503	CUB4547	GEM-4147	4TM-547
C7	.01	250	C50074-25	P488N-01	D6-103	CUB4547	GEM-411	4TM-547
C8	.0033	250	C50074-23	P488N-0033	D6-332	CUB4547	GEM-6233	6TM-D33
C9	.0047	1000	C50074-24	P1088N-0047	DD-472	CUB4547	GEM-16247	10TM-D47
C10	20000		C50089-3	BPD-02	DD-203	CUB4547	B-120	5GA-S2
C11	.47	250	C50074-29	P488N-47	CUB4547	CUB4547	GEM-4047	4TM-E47
C12	.068	250	C50074-30	P488N-068	CUB4547	CUB4547	GEM-4168	4TM-S68
C13	.022	250	C50074-26	P488N-022	DD-203	CUB4547	GEM-4122	4TM-S22
C14	.047	250	C50074-27	P488N-047	DF-503	CUB4547	GEM-4147	4TM-547
C15	.1	250	C50074-28	P488N-1	DF-104	CUB4547	GEM-401	4TM-P1
C16	.01	250	C50074-25	P488N-01	D6-103	CUB4547	GEM-411	4TM-547
C17	.047	250	C50074-27	P488N-047	DF-503	CUB4547	GEM-4147	4TM-547
C18	82	1000	C50070-7	P488N-1	DF-104	CUB4547	GEM-401	4TM-P1
C19	.1	250	C50074-28	P488N-1	DF-104	CUB4547	GEM-401	4TM-P1

## CONTROLS

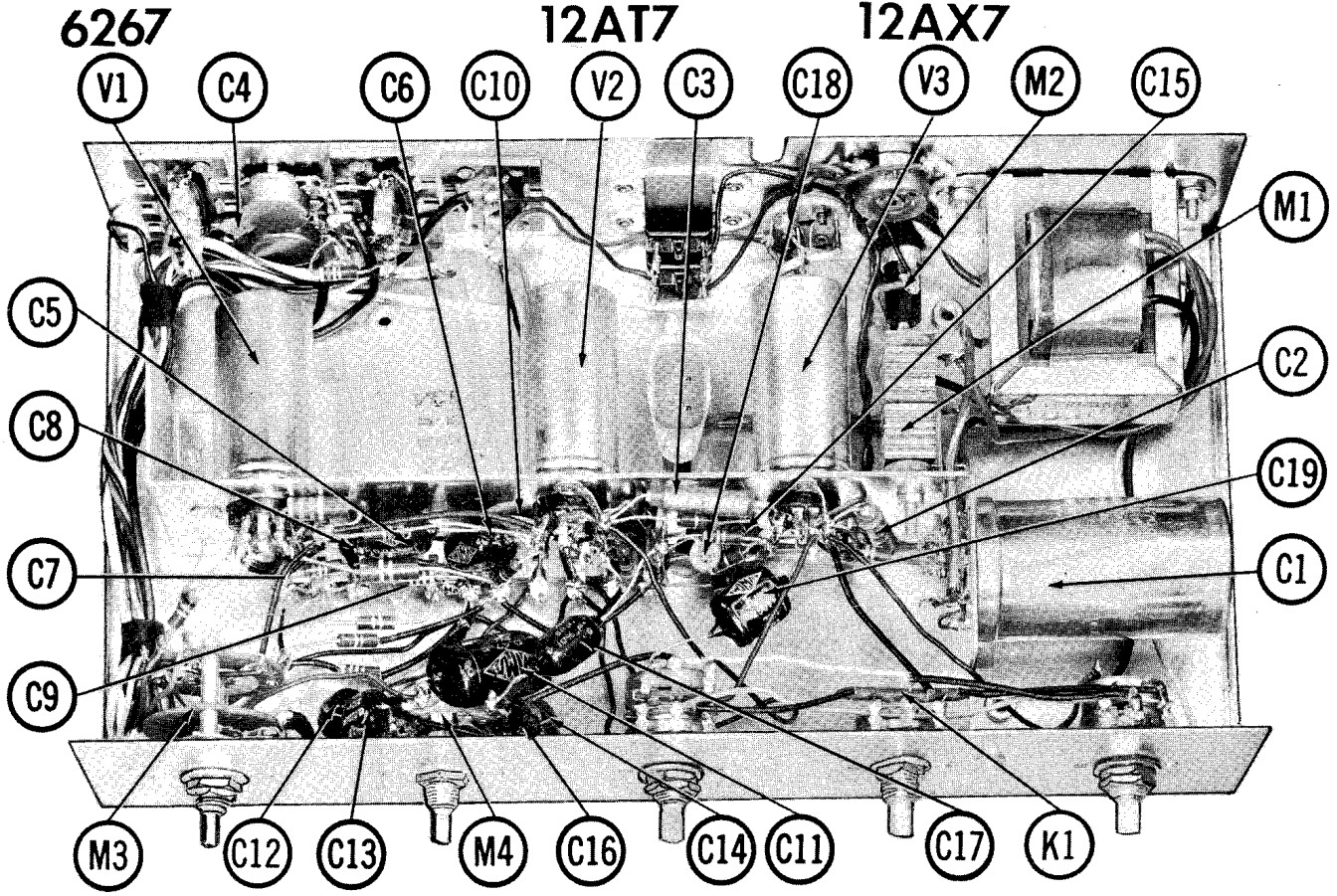
ITEM No.	RATING RESIST- ANCE WATTS	REPLACEMENT DATA			INSTALLATION NOTES
		FISHER PART No.	CENTRALAB PART No.	CLAROSTAT PART No.	
R1A	100K	R694-120	B-69	A47-1meg-S	Q11-137
R2A	250K	R694-119	Not Req.	FS-3	Not Req.
R3A	500K	R694-118	BT-64	A47F5-500K	Q19-133X
R4	10K		Not Req.	FS-3	Not Req.
R5	250K	R657-134	KR-1	SWE-12	76-1
R6	5000	R657-134	JP-254	48M-250K-S	U S-26
		R516-128	JP-254	48M-250K-S	

## RESISTORS

All wattages 1/2 watt, or less, unless otherwise listed.

ITEM No.	RATING OHMS WATT	FISHER PART No.	NOTES	RATING		FISHER PART No.	NOTES
				OHMS	WATT		
R7	2.2meg	RC20BF225K		R14	10meg	RC20BF106K	
R8	470K	RC20BF474K		R15	220K	RC20BF224K	
R9	100K	RC20BF104K		R16	33K	RC20BF333K	
R10	10K	RC20BF103K		R17	15K	RC20BF153K	
R11	220K	RC20BF224K	1	R18	270K	RC20BF274K	
R12	220K	RC20BF224K		R19	33K	RC20BF333K	
R13	470K	RC20BF474K	1	R20	470K	RC20BF474K	

# CHASSIS—TOP VIEW



# PARTS LIST & DESCRIPTION (continued)

## RESISTORS (cont)

ITEM No.	RATING		FISHER PART No.	NOTES
	OHMS	WATT		
R21	4700Ω		RC20BF472K	
R22	1200Ω		RC20BF122K	
R23	47K		RC20BF473K	
R24	15K		RC20BF153K	
R25	10K		RC20BF103K	
R26	22K		RC20BF223K	
R27	8200Ω		RC20BF822K	
R28	100K		RC20BF104K	

ITEM No.	RATING		FISHER PART No.	NOTES
	OHMS	WATT		
R29	1200Ω		RC20BF122K	
R30	1meg		RC20BF105K	
R31	330K		RC20BF334K	
R32	82K		RC20BF823K	
R33	4.7meg		RC20BF475K	
R34	1000Ω		RC20BF102K	
R35	4700Ω		RC20BF472K	

## COMPONENT COMBINATIONS

ITEM No.	USE	DESCRIPTION	FISHER PART No.	REPLACEMENT DATA
K1	Tone Comp.		PC522-105	

## TRANSFORMER (POWER)

ITEM No.	RATING			REPLACEMENT DATA					
	PRI.	SEC. 1	SEC. 2	Fisher Part No.	Merit Part No.	Ram Part No.	Stancor Part No.	Thordarson Part No.	Triad Part No.
T1	117V @ .09A	420VCT	6.3V @ .9A	T-694-115					

## RECTIFIERS

ITEM No.	RATING CURRENT (Measured)	REPLACEMENT DATA			NOTES
		Fisher Part No.	Federal Electric Part No.	Sarkes Tarzian Part No.	
M1	.0085A	SR-50113①	SD-94 ② ③	026-20C10Q④ F6 ② ③	① Selenium Type ② Silicon Type ③ 4 Used in series on each side as a full wave rectifier ④ 4 Used in series on each side as a full wave rectifier

## FUSES

ITEM No.	TYPE	RATING	REPLACEMENT DATA		
			Fisher Part No.	Holder	Fuse
M2	3AG	½A 250V	F3297	X1036	312, 500 (½A, 250V)

## MISCELLANEOUS

ITEM No.	PART NAME	Fisher Part No.	NOTES
M3 M4	Switch Switch	5694-122 5694-121	Input Selector, 6 Position (Rotary Water Type) Rumble Filter-Loudness Contour, 5 Position (Rotary Water Type)

## CABINETS & CABINET PARTS

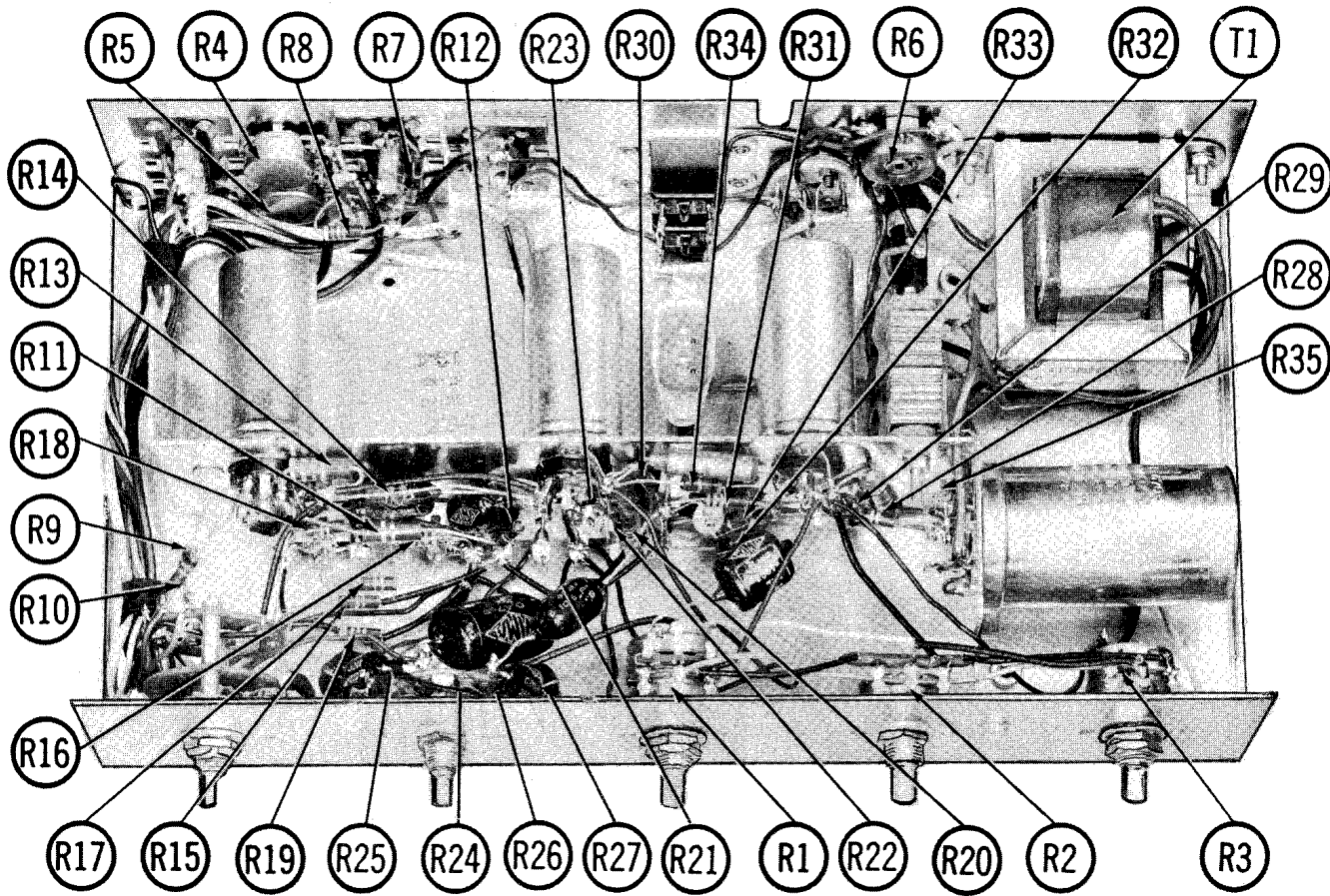
(When Ordering Cabinets & Cabinet Parts, Specify Model, Chassis & Color)

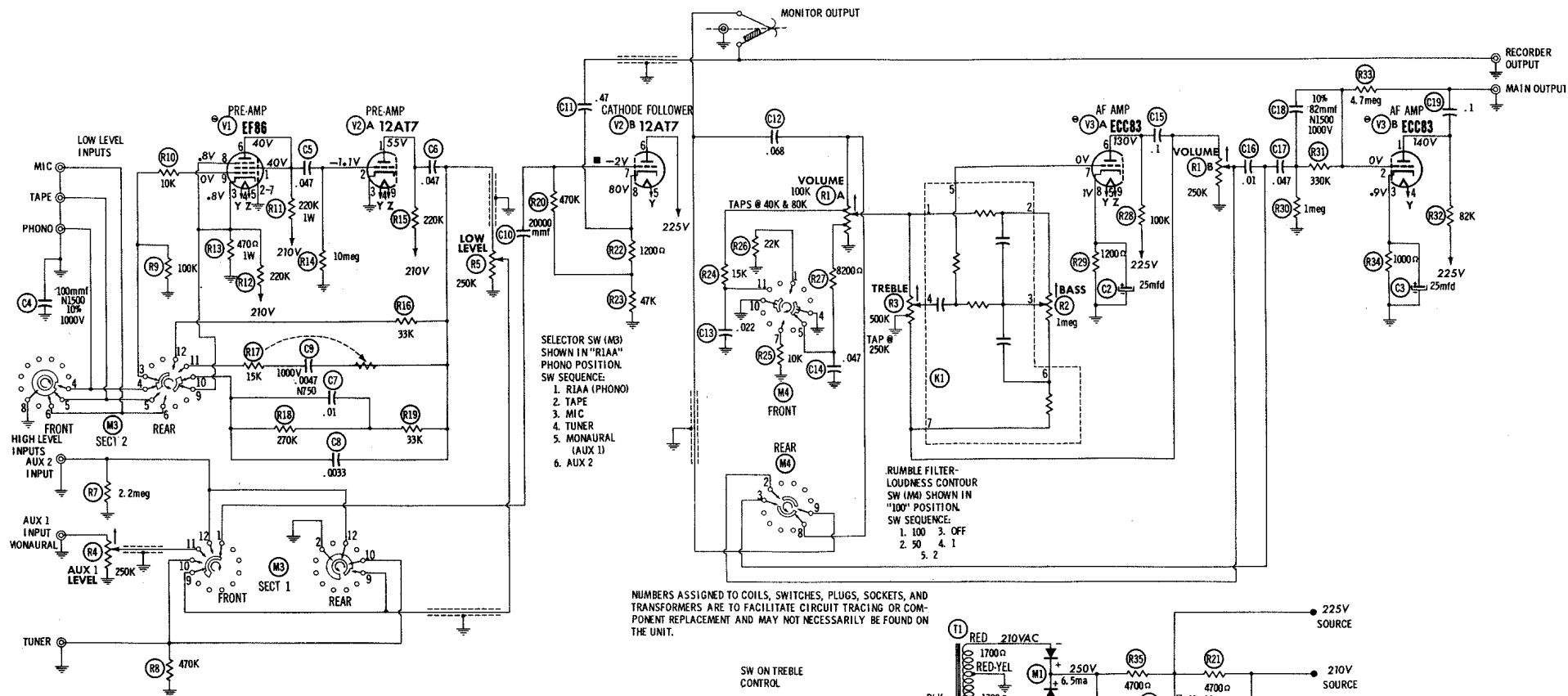
NAME	PART No.	DESCRIPTION
Knob	E50049-12	5 Used

## WIRING DATA

General-use Unshielded Hook-up Wire	Use BELDEN No. 8530 (Solid) Available in Ten Colors
Power Cord	8524 (Stranded) Available in Ten Colors
	1765-B (6 Ft. Length)
	1765-K (7½ Ft. Length)

# CHASSIS—TOP VIEW





SELECTOR SW (M3)  
SHOWN IN "RIAA"  
PHONO POSITION.  
SW SEQUENCE:  
1. RIAA (PHONO)  
2. TAPE  
3. MIC  
4. TUNER  
5. MONAURAL  
(AUX 1)  
6. AUX 2

RUMBLE FILTER-  
LOUDNESS CONTOUR  
SW (M4) SHOWN IN  
"100" POSITION.  
SW SEQUENCE:  
1. 100 3. OFF  
2. 50 4. 1  
5. 2

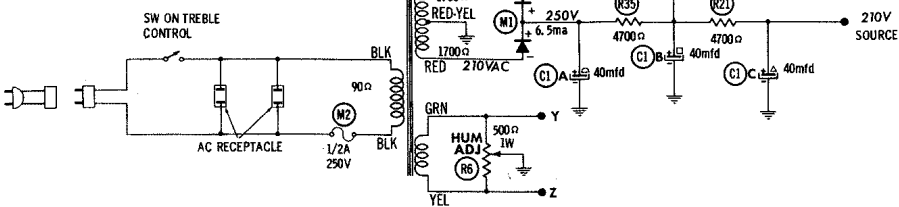
NUMBERS ASSIGNED TO COILS, SWITCHES, PLUGS, SOCKETS, AND TRANSFORMERS ARE TO FACILITATE CIRCUIT TRACING OR COMPONENT REPLACEMENT AND MAY NOT NECESSARILY BE FOUND ON THE UNIT.

- DC voltage measurements taken with vacuum tube voltmeter; AC voltages measured at 1000 ohms per volt.
- Socket connections are shown as bottom views.
- Measured values are from socket pin to common negative.
- Line voltage maintained at 117 volts for voltage readings.
- Nominal tolerance of component values makes possible a variation of ±15% in voltage and resistance readings.
- All controls at minimum, proper output load connected.

SEE PARTS LIST FOR ALTERNATE VALUE OR APPLICATION

DC COIL RESISTANCE VALUES UNDER ONE OHM NOT SHOWN ON SCHEMATIC DIAGRAM

ARROWS ON CONTROLS INDICATE CLOCKWISE ROTATION (CONTROL VIEWED FROM SHAFT END)



RESISTANCE READINGS

ITEM	TUBE	Pin 1	Pin 2	Pin 3	Pin 4	Pin 5	Pin 6	Pin 7	Pin 8	Pin 9
V1	EF86 8267	1230K	0Ω	470Ω	4Ω	4Ω	1230K	0Ω	470Ω	110K
V2	12A7	1230K	10meg	0Ω	4Ω	4Ω	14700Ω	520K	48K	110K
V3	ECC83 12AX7	187K	1.3meg	1000Ω	4Ω	4Ω	1109K	300K	1200Ω	4Ω

† MEASURED FROM OUTPUT OF M1  
■ MEASURED FROM PIN 8 OF V2