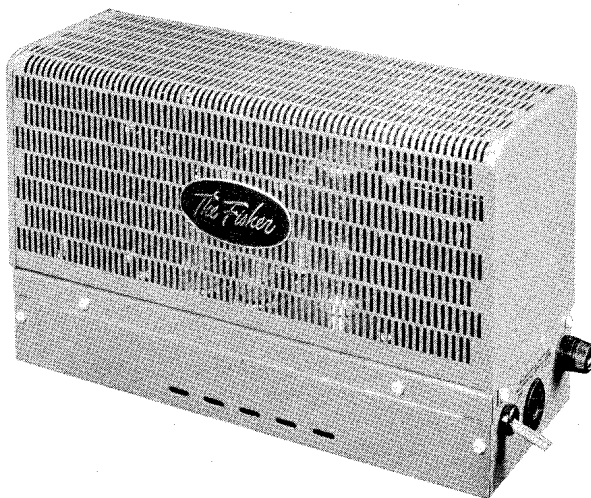


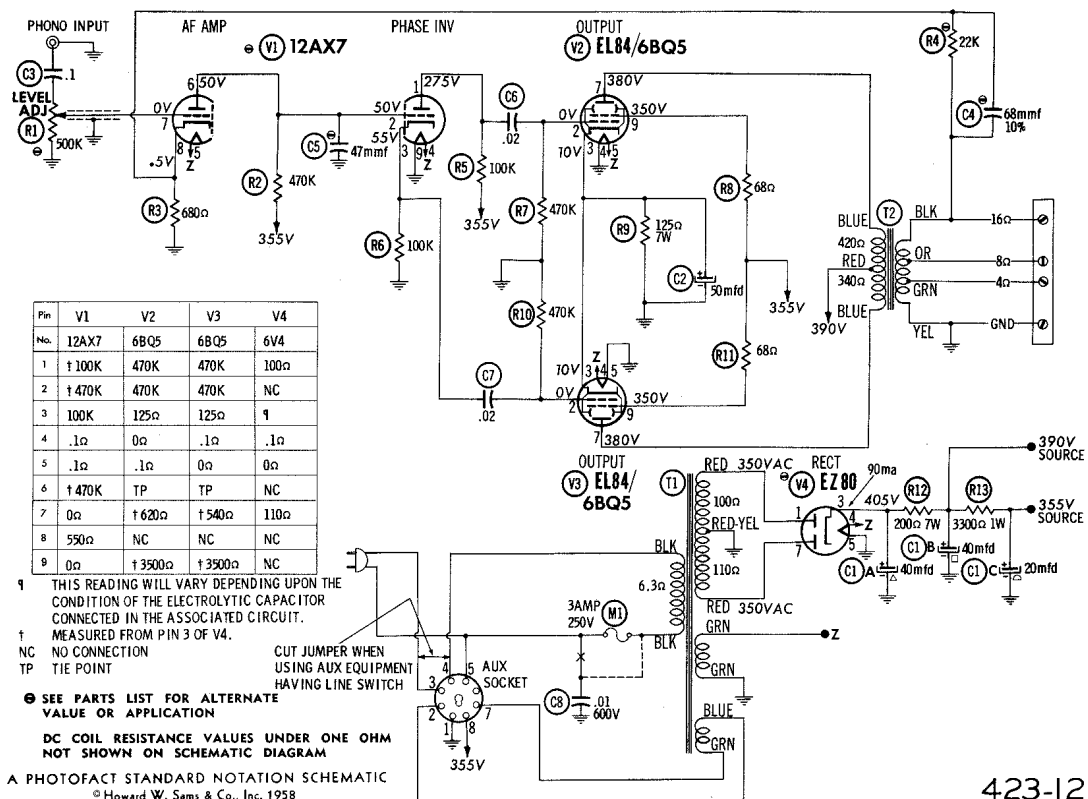


FISHER MODEL
20-A



TRADE NAME	Fisher Model 20-A		
MANUFACTURER	Fisher Radio Corp., 21-21 44th. Drive, Long Island City, 1, N. Y.		
TYPE SET	AC Operated Audio Amplifier		
TUBES (Four)	Types 12AX7/ECC83 AF Amp. -Phase Inv., (2) EL84/6BQ5 Output, EZ80/6V4 Rectifier		
POWER SUPPLY	105-125 Volts AC-50/60 Cycles	RATING	.695 Amp. @ 117 Volts AC (68 Watts)

FISHER MODEL
20-A



423-12

HOWARD W. SAMs & CO., INC. Indianapolis 6, Indiana

The listing of any available replacement part herein does not constitute in any case a recommendation, warranty or guaranty by Howard W. Sams & Co., Inc., as to the quality and suitability of such replacement part. The numbers of these parts have been compiled from information furnished to Howard W. Sams & Co., Inc., by the manufacturers of H702

the particular type of replacement part listed. Reproduction or use, without express permission, of editorial or pictorial content, in any manner, is prohibited. No patent liability is assumed with respect to the use of the information contained herein. © 1958 Howard W. Sams & Co., Inc., Indianapolis 6, Indiana. Printed in U.S. of America

PARTS LIST AND DESCRIPTIONS

TUBES (GENERAL ELECTRIC, SYLVANIA)

ITEM No.	USE	TYPE	ITEM No.	USE	TYPE
V1	AF Amp. -Phase Inv.	12AX7/ ECC83	V3	Output	EL84/8BQ5
V2	Output	EL84/8BQ5	V4	Rectifier	EZ80/6V4

ELECTROLYTIC CAPACITORS

ITEM No.	RATING		REPLACEMENT DATA						
	CAP.	VOLT.	FISHER PART No.	AEROVOX PART No.	CORNELL-DUBILIER PART No.	MALLORY PART No.	PYRAMID PART No.	SANGAMO PART No.	SPRAGUE PART No.
CLA	.40	450	P-563-127 ①	AFH3-43-50	C0344	FP376.9	TMT-39	T-165	TVL-3786
B	.40	450						MT-4510	
C	.20	450							
C2	.50	25	C-556-128	PRS25V50	BBR50-25	TC29	TD-50-25	MT-0250	TVA-1206

① Alternate Part #C-563-127.

FIXED CAPACITORS

Capacity values given in the rating column are in mfd. for Paper Capacitors, and in mmfd. for Mica and Ceramic Capacitors.

ITEM No.	RATING		REPLACEMENT DATA						NOTES
	CAP.	VOLT	FISHER PART No.	AEROVOX PART No.	CENTRALAB PART No.	CORNELL-DUBILIER PART No.	MALLORY PART No.	SPRAGUE PART No.	
C8	.1	200	C88P104M2	P288N-1	DF-104	CUB2P1	GEM-201	2TM-P1	10% ① ②
C4	.68		CC2IGP680K5	NPO-SI 68	D6-680	L10Q68		MS-468	
C5	.47		CC2IGP470K5	NPO-SI 47	D6-470	L10Q47		MS-447	
C6	.02	400	C88P203M4	P488N-02	DD-203	CUB4S2	GEM-412	4TM-S2	
C7	.02	400	C88P203M4	P488N-02	DD-203	CUB4S2	GEM-412	4TM-S2	
C8	.01	600	C-2747	P688N-01	D6-103	CUB6S1	GEM-611	6TM-S1	

① Some versions may use 24mmf 10% in this application (Part #CC2IGP240K5).

② Some versions may use 68mmf 10% in this application (Part #CC2IGP680K5).

CONTROLS

ITEM No.	RATING		REPLACEMENT DATA					INSTALLATION NOTES
	RESISTANCE	WATTS	FISHER PART No.	CENTRALAB PART No.	CLAROSTAT PART No.	IRC PART No.	MALLORY PART No.	
R1	500K	1/2	R-582-117	JP-504				Level Adjust ①

① Part #R-520-139 may be used in some versions.

RESISTORS

All wattages 1/2 watt, or less, unless otherwise listed.

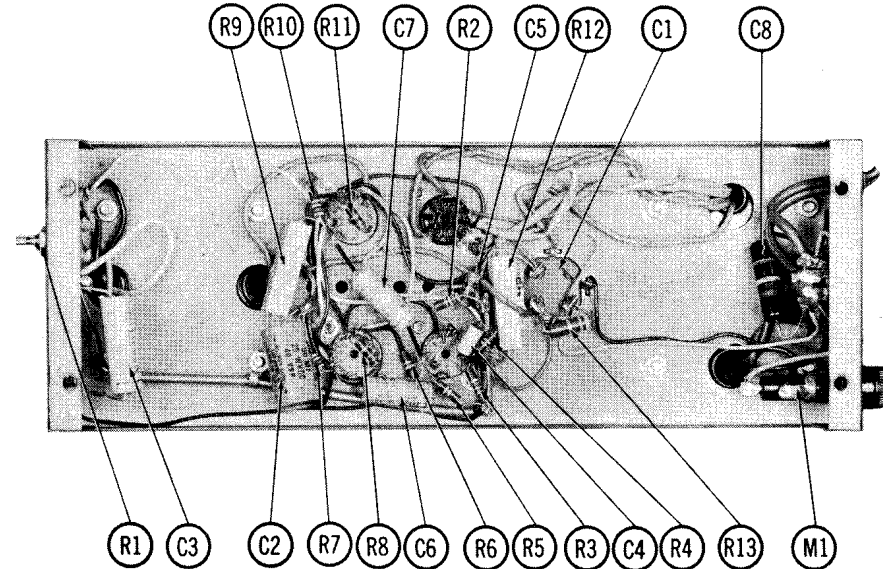
ITEM No.	RATING		FISHER PART No.	NOTES	ITEM No.	RATING		FISHER PART No.	NOTES
	OHMS	WATT				OHMS	WATT		
R2	470K		RC20BF474K	Note 1	R8	68Ω		RC20BF680K	
R3	680Ω		RC20BF681K						
R4	22K		RC20BF223K						
R5	100K		RC20BF104K						
R6	100K		RC20BF104K						
R7	470K		RC20BF474K						
R9	125Ω	7(WW)	R-556-124			R9	125Ω	7(WW)	
R10	470K		RC20BF474K		R10	470K		RC20BF474K	
R11	68Ω		RC20BF680K		R11	68Ω		RC20BF680K	
R12	200Ω	7(WW)	R-559-120		R12	200Ω	7(WW)	R-559-120	
R13	3300Ω	1	RC30BF332K		R13	3300Ω	1	RC30BF332K	

Note 1. Some versions may use 15K in this application (Part #RC20BF153K).

TRANSFORMER (POWER)

ITEM No.	RATING			REPLACEMENT DATA						
	PRI.	SEC. 1	SEC. 2	FISHER PART No.	Hallderson PART No.	Merit PART No.	Ram PART No.	Stancor PART No.	Thordarson PART No.	Triad PART No.
	② .695A	② .090A	② 2.3A							
T1	117V	700VCT	6.3V	T-582-12						
	6.3V									
	② 1A									

CHASSIS—BOTTOM VIEW



TRANSFORMER (AUDIO OUTPUT)

ITEM No.	IMPEDANCE		REPLACEMENT DATA						NOTES	
	PRI.	SEC.	FISHER PART No.	Hallderson PART No.	Merit PART No.	Ram PART No.	Stancor PART No.	Thordarson PART No.		Triad PART No.
T2	10K	18Ω	T-582-113	Z1405 ①	A-3132 ①		A-3311 ①	22S93 ①		① Drill new mounting holes.

FUSES

ITEM No.	TYPE	RATING	REPLACEMENT DATA					
			FISHER PART No.		LITTELFUSE PART No.		BUSS PART No.	
			FUSE	HOLDER	FUSE	HOLDER	FUSE	HOLDER
M1	3AG	3A 250V	F-3000		312003. (3AG 3A 250V)	342001	AGC 3	HKP

WIRING DATA

General-use Unshielded Hook-up Wire Use BELDEN No. 8530 (Solid) Available in Ten Colors
8524 (Stranded) Available in Ten Colors

Power Cord Use BELDEN No. 1765-B (6 Ft. Length)
1725-K (7½ Ft. Length)