

The Fisher

HIGH QUALITY PREAMPLIFIER

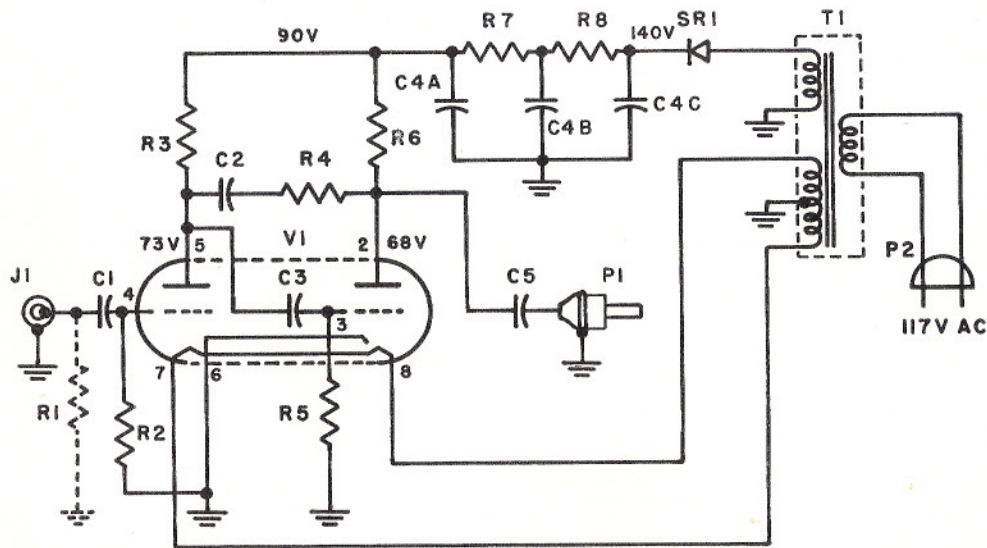
FOR PHONOGRAPH & MICROPHONE USE

SELF-POWERED • 105-125 VOLTS • 50-60 CYCLES

MODEL PR-5

FISHER RADIO CORPORATION • NEW YORK

THE FISHER PREAMPLIFIER MODEL PR-5



THE FISHER

High Quality Preamplifier

MODEL PR-5

THE FISHER High Quality Preamplifier has been designed to meet the need for a self-powered unit of excellent quality, yet moderate cost. THE FISHER Model PR-5 can be used with low-level magnetic pickups of any make, including the General Electric, Pickering, Audax, Clarkstan and others. In each case, exact and correct equalization is provided for the particular pickup of your choice.

THE FISHER Model PR-5 can also be used as a microphone preamplifier. Complete details are supplied with each unit so that proper installation can be made, whether it is utilized as a phonograph or microphone preamplifier.

OUTSTANDING FEATURES

1. Virtually inaudible hum level, better than 60 db below one volt output in both phonograph and microphone use.
2. Frequency response is uniform within 2 db from 30 to 20,000 cycles on all applications.
3. The unit is self-powered, using components of a type that assure long, trouble-free service. All materials and workmanship are in the FISHER tradition.

CONTINUED ON NEXT PAGE

4. Chassis is completely enclosed, with bottom cover. Latter is readily removable.
5. Two stages of triode amplification are utilized.
6. High Gain. *On Phonograph*: 10 millivolts (.01 volts) input to produce one volt output, a voltage gain of 100. *On Microphone*: 1 millivolt (.001 volts) input to produce one volt output, a voltage gain of 1,000.
7. An exclusive feedback circuit has been incorporated to produce full low frequency equalization. The latter has been designed for turn-over at 500 cycles.
8. Circuit design permits the use of exceptionally long output cable if desired, up to fifty feet.
9. Complete installation and service manual, as well as all necessary connecting plugs supplied with each unit.
10. Overall size: $3\frac{3}{4}$ " x $3\frac{5}{8}$ " x $3\frac{3}{8}$ " high.